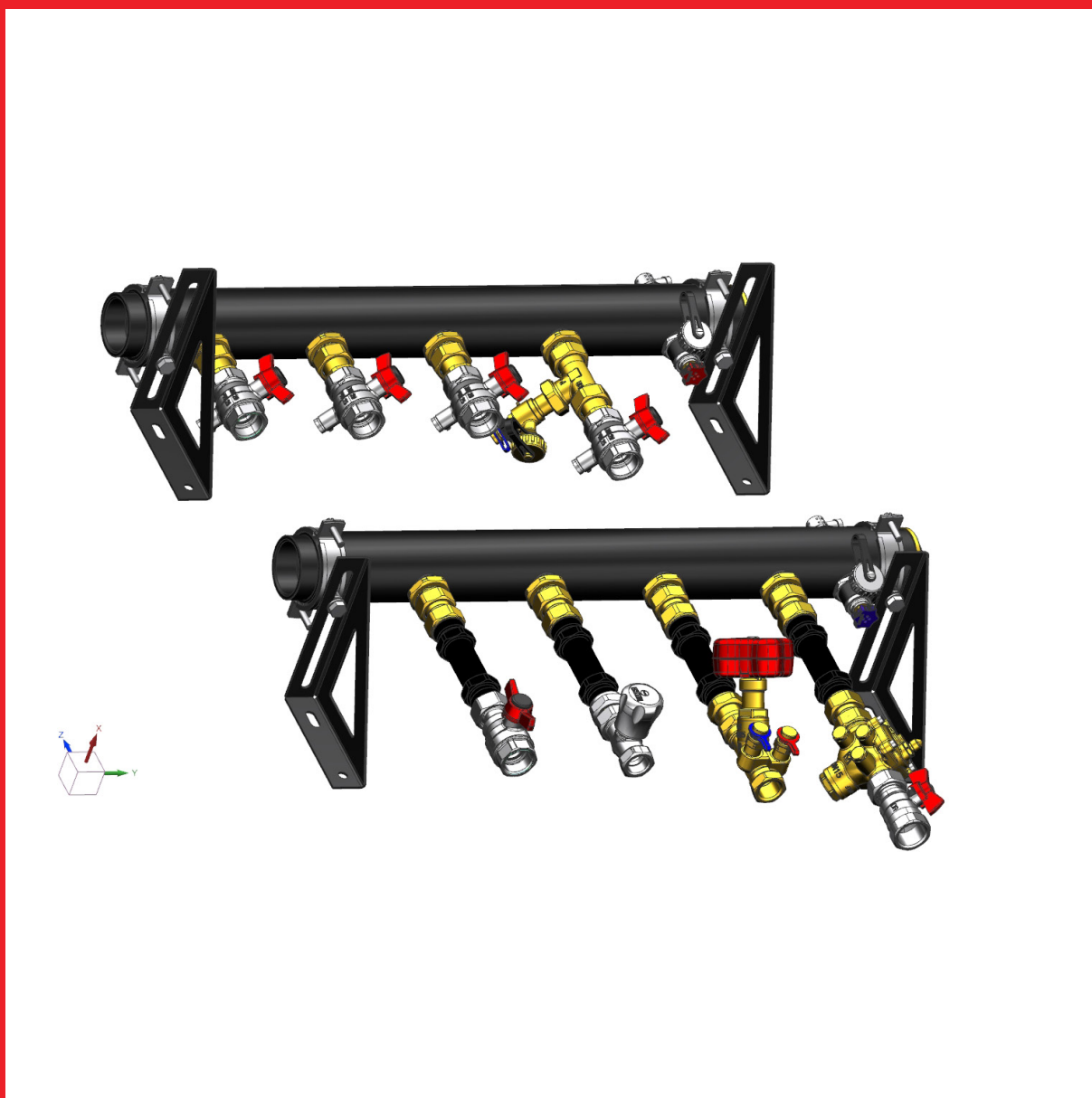


HERZ Etage Metering Manifolds

The central point for commissioning, maintenance and metering of apartments



HERZ Etage Metering Manifolds

☑ Making the good installation job easy

The expectations of developers and home owners are ever increasing. Next to a professional plumbing work, the heating system needs to be commissioned and the flows according to the design need to be proven. When the commissioning valves are spread all around the building, it is a challenge to access the individual valves repeatedly for measurement, regulation, troubleshooting and verification. In case of unexpected issues, it is difficult to locate the problem. During the lifetime of the building, periodic replacement of the heat meters may require coordination with the tenants to access heat meters located in the apartments.

How much faster and easier is the job when everything is in one place! The HERZ Etage metering manifold brings the pieces of the commissioning puzzle together. Moving from one commissioning valve to the other is a matter of a moment. Troubleshooting is easy, as all settings are immediately accessible and the differential pressures and flows can be measured for all of the connected apartments at one place.

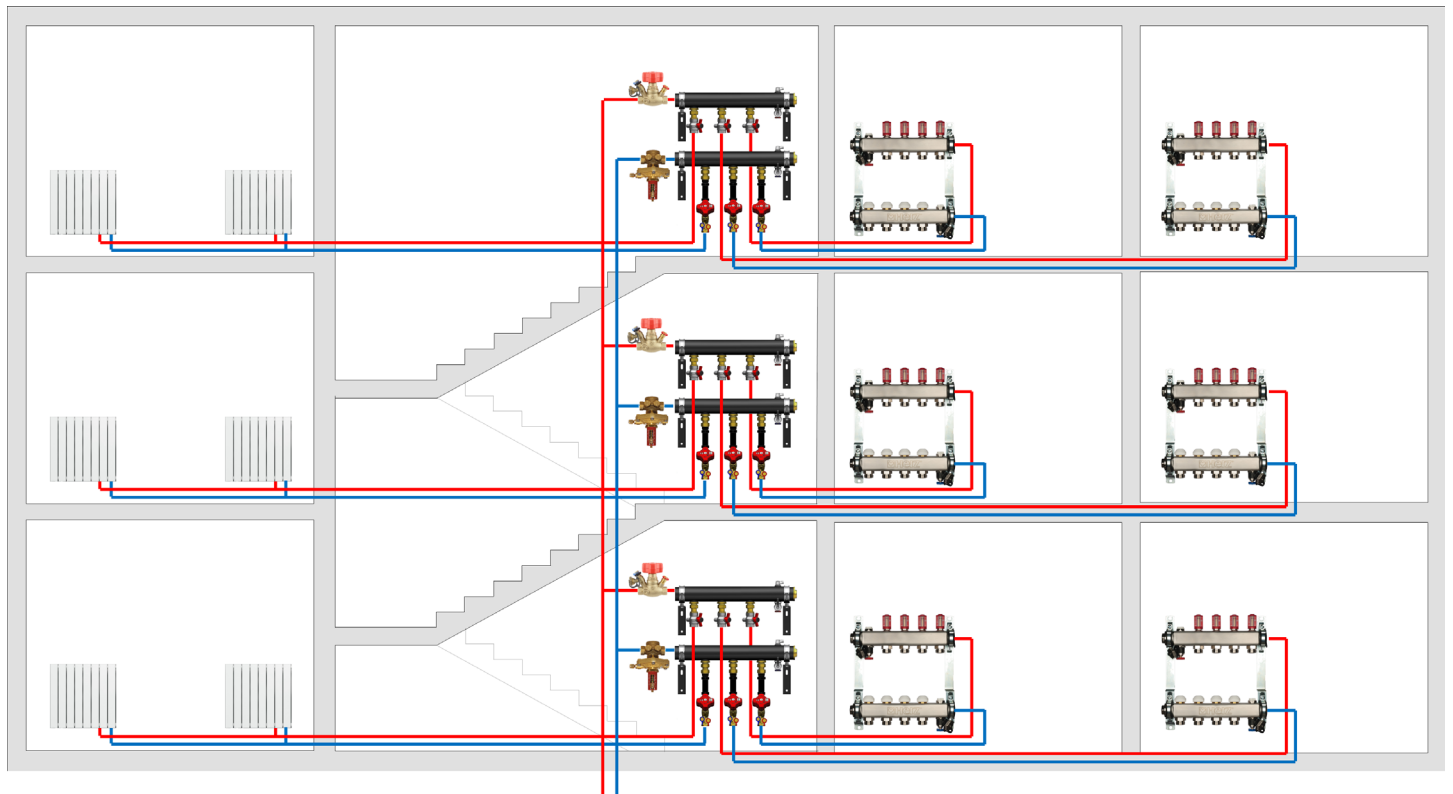
When using the regulation option with HERZ 4017 valves with fixed orifice, reading the flows in each apartment with the HerzCOMP 650 measuring computer is as fast as switching the needles to the next valve, without the need to enter the valve setting.

The regulation option with differential pressure controllers on each loop features the compact 4012 FIX differential pressure controllers, factory-set for an optimal differential pressure for the apartment, ensuring that the radiator valves or underfloor heating manifolds operate at the nominal flow conditions.

The manifolds are shipped with pressure tested brass inserts with G 3/4" male threaded connections to ensure an easy and reliable assembly of the connection sets.

The HERZ Etage is a modular system consisting of the pair of manifold bars with the desired number of loops, the connections sets including the selected loop regulation valve, and coupling adapters allowing for the connection of the manifold to the risers via valves of appropriate size and type, from a ball valve to a differential pressure controller and its partner valve.

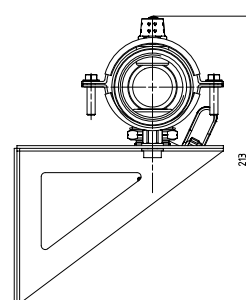
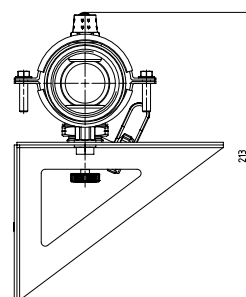
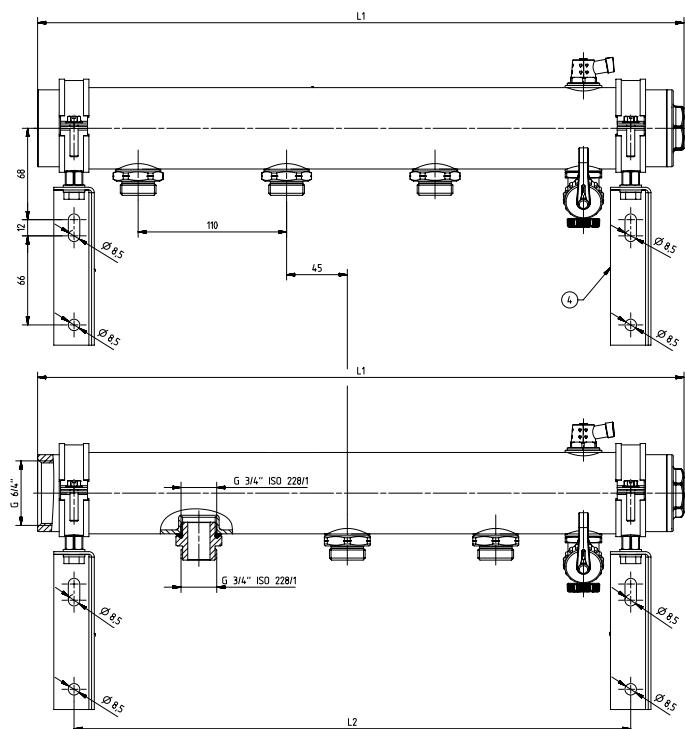
☑ Example



Schematic illustration without additional components

Manifolds

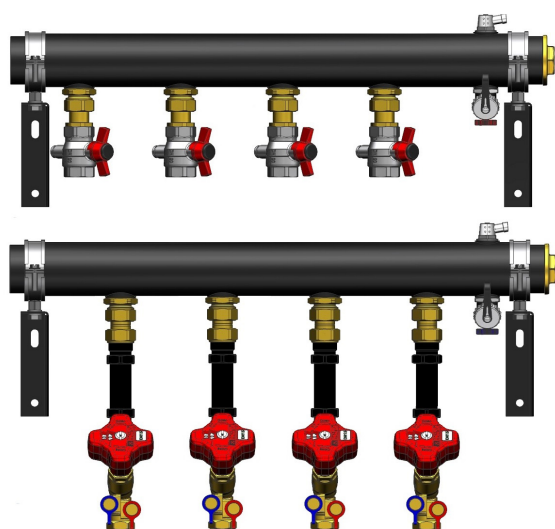
- ☑ 2-12 loops at 110mm gauge and 45mm offset between supply and return for a comfortable assembly
- ☑ Loop connections via G 3/4" male threaded brass inserts with flat sealing
- ☑ Support brackets and attachment clamps included
- ☑ DN50 manifold bars to minimize pressure losses on the manifold
- ☑ G 6/4" female threads for manifold connections to primary circuit. Connection adapters available
- ☑ Draining valve and air vent on each manifold bar



Art. No.	No. of loops	L1 [mm]	L2 [mm]
1 8636 31	1 *)	170	-
1 8636 32	2	370	300
1 8636 33	3	480	410
1 8636 34	4	590	520
1 8636 35	5	700	630
1 8636 36	6	810	740
1 8636 37	7	920	850
1 8636 38	8	1030	960
1 8636 39	9	1140	1070
1 8636 40	10	1250	1180
1 8636 41	11	1360	1290
1 8636 42	12	1470	1400

*) The single loop manifold bar can be used as an extension

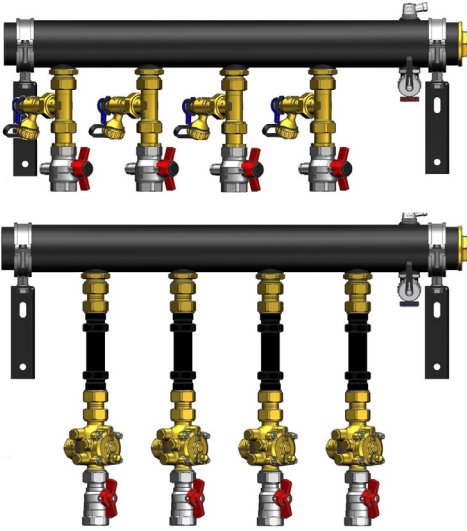
Connection sets with HERZ 4017 fixed orifice double regulating valves



- ☑ Precise regulation and fast measurement of flows on HERZ 4017 regulating valves with fixed measuring orifice
- ☑ Pipe connection via G 3/4" female thread on supply side and G 1/2" female thread on the return side
- ☑ 110 mm distance piece with G 3/4" flat searing connection for the flow meter in the return assembly and a ball valve with M10 temperature sensor port in the supply assembly
- ☑ Three different balancing valve sizes covering majority of flow requirements

Connection Set Art. No.	DN	Valve kvs	Orifice kv
1 8636 20	15 LF	0.46	0.48
1 8636 29	15 MF	0.88	0.97
1 8636 24	15	2.00	1.95

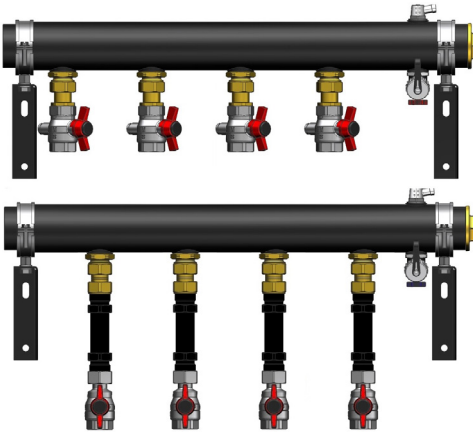
☑ Connection sets with HERZ 4012 FIX differential pressure controllers



- ☑ Dynamic differential pressure regulation for each loop
- ☑ Fixed pressure setting providing for optimal Δp conditions in most radiator and underfloor heating applications
- ☑ Orifice inserts available for additional flow limiting if necessary
- ☑ Capillary connection to the supply side can be shut off
- ☑ Ball valves for loop shut-off on both supply and return side

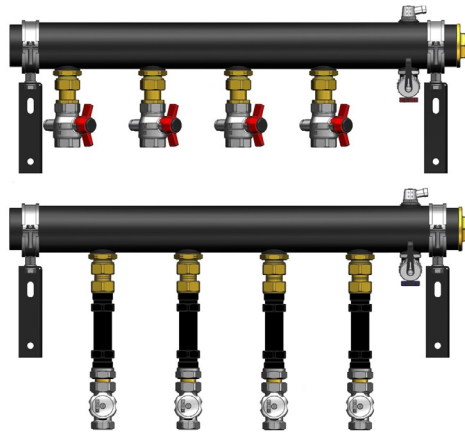
Connection Set Art. No.	Δp setting	Flow range
1 8636 30	13 kPa	50-800 l/h

☑ Connection sets with ball valves



Connection Set Art. No.	Valve kvs	Pipe connection	
		supply	return
1 8636 23	1.8	G 3/4" female	Rp 1/2" female

☑ Connection sets with GP presettable manual valves



Connection Set Art. No.	Valve kvs	Pipe connection	
		supply	return
1 8636 21	34	G 3/4" female	G 3/4" female

☑ Adapters for manifold connection to main supply and return lines

Picture	Art. Nr.	Description
	1 6220 45	Adapter G 6/4" male to G 5/4" coupling nut

Picture	Art. Nr.	Description
	1 6266 14	Adapter G5/4" male to G1" male

